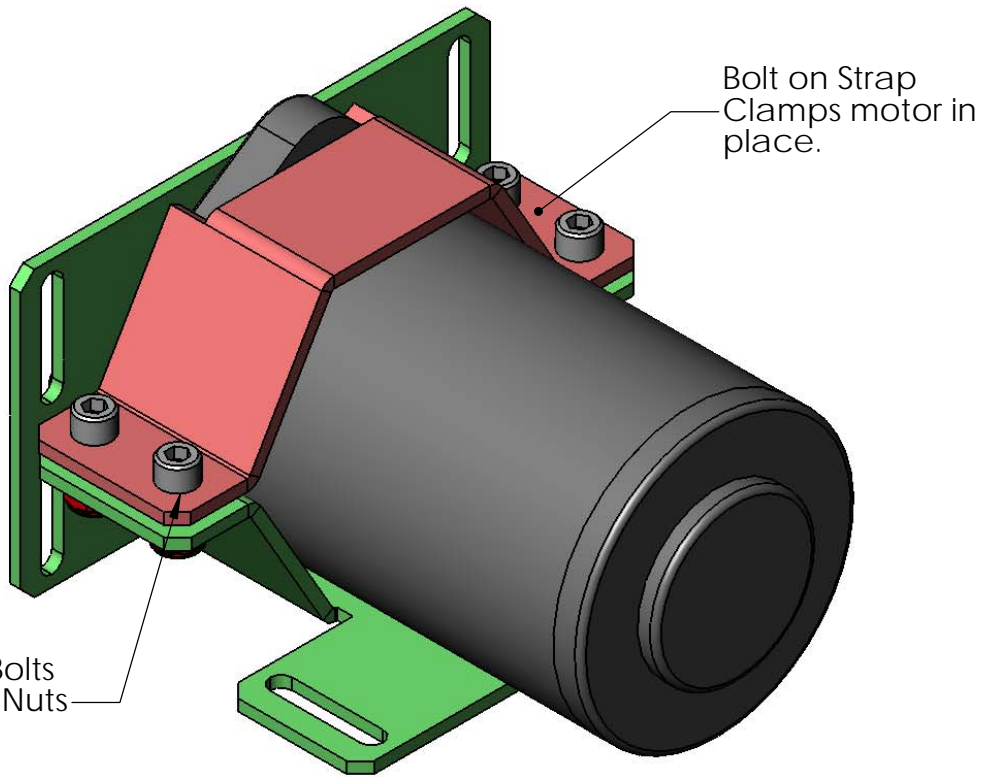
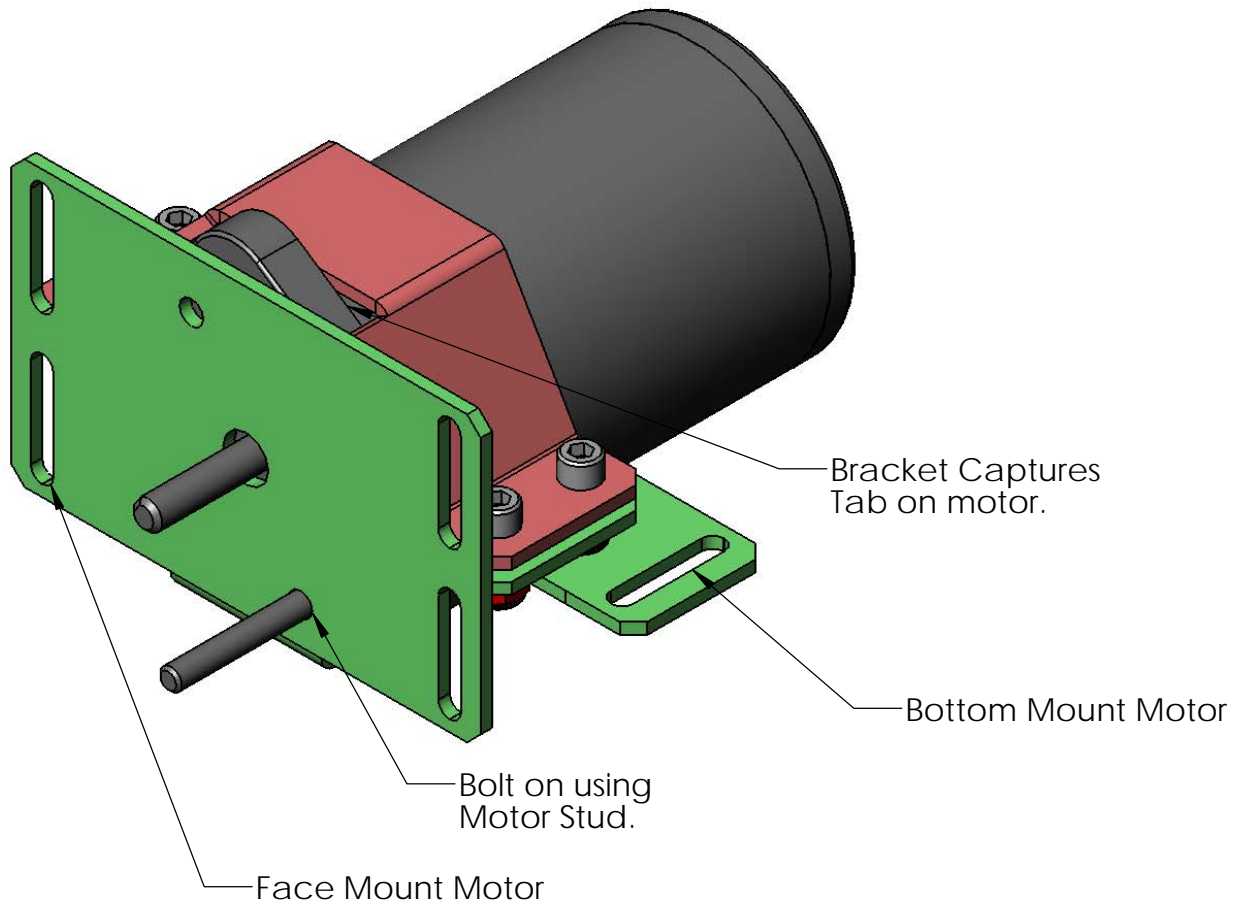


For More Detailed Dimensions
refer to FP-CIM-MOUNT.step

Printed on 1/24/2006 ALL DIMENSIONS ARE IN INCHES.

IFIRobotics.com
FP-CIM Motor Mount

Part Number
FP-CIM Motor Mount



(4x) 1/4-20 Bolts and Nylock Nuts Included